



# YOSHIMURA

RESEARCH&DEVELOPMENT OF AMERICA, INC.

5420 DANIELS STREET STE A, CHINO CA., 91710 · (800) 634-9166 · (909) 628-4722 · FAX (909) 591-2198

[www.yoshimura-rd.com](http://www.yoshimura-rd.com)

## *Signature Series*

Qualified Manufacturer Declared "Replacement Part"

**2014~2018**

**Suzuki V-Strom 1000**

**11631E0220 (CF/CF)**

**11631E0520 (SS/CF)**

**R-77 Stainless Steel Slip-On**



Signature Series systems are:

- CARB/EPA tail-pipe emissions compliant.
- Marked with appropriate EPA noise labels.
- Independent laboratory tested for EPA new vehicle noise compliance.

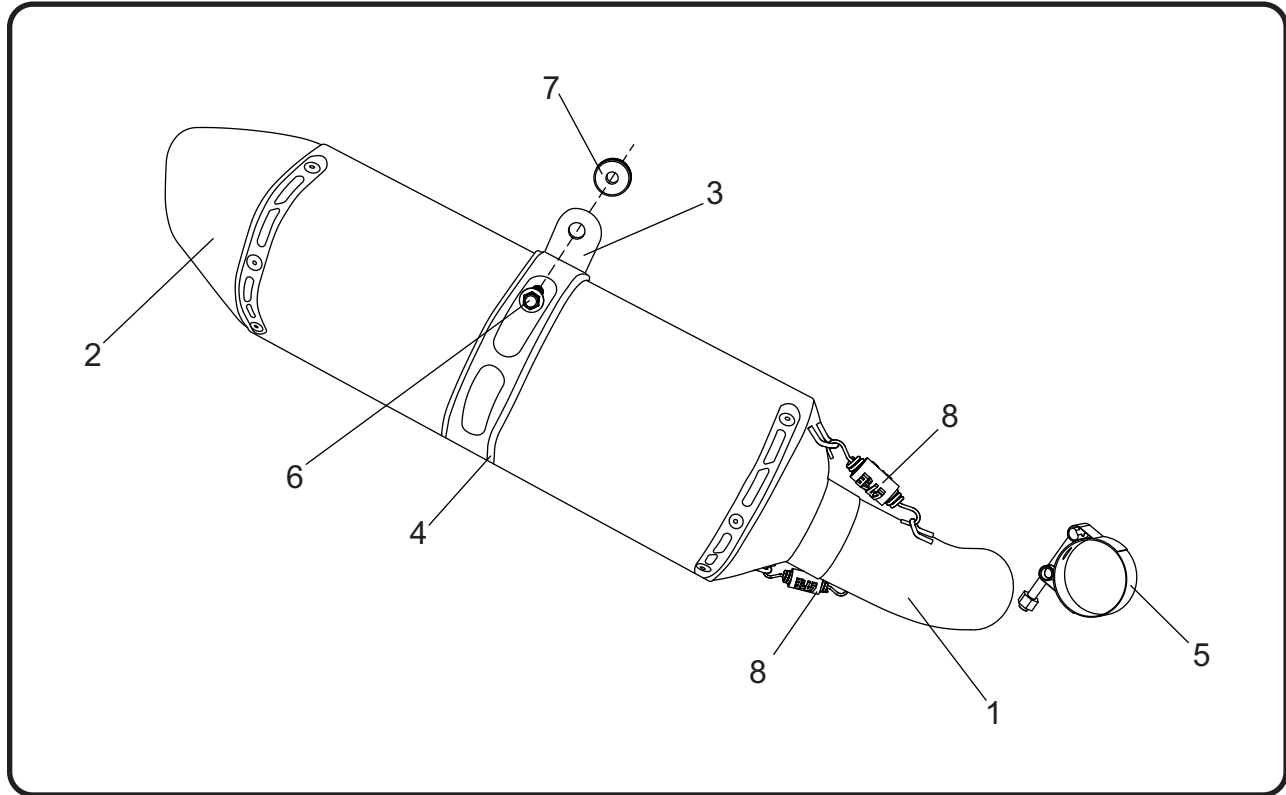


*You must know how to remove and replace your stock exhaust in order to install this product otherwise have it installed by a professional mechanic. Keep all stock parts from your existing system as some components may be necessary to install your new Yoshimura exhaust depending on the application. Read through all instructions before beginning installation. Exhaust system can be extremely hot. Let motorcycle cool down before beginning installation. Always wear hand and eye protection and take precautionary measures to avoid injury.*



NOTE: IN THE STATE OF CALIFORNIA, IT IS ILLEGAL TO MODIFY THE EMISSION CONTROL SYSTEM, WHICH INCLUDES THE CARBURETORS OF ANY VEHICLE.

## Assembly Diagram



Í ÖB	Item	Description	Qty.
1	11631-435	Yoshimura Tailpipe	1
2	****	Signature Series Muffler	1
3	1121-MPCR(X)	Muffler Clamp	1
4	HT SHLDR77	Muffler Clamp Rubber Heatshield	1
5	20063	Exhaust Clamp	1
6	M8X55H	8mm x 55mm Flanged Hex Head Bolt	1
7	ALS-049	Aluminum Spacer	1
8	RACE-SPS-1	Medium Exhaust Spring	2
**	ST-200	Spring Puller Tool	1
**	17029	Sticker Kit Sheet	1

(X) Used for stainless steel muffler canisters.

\*\*\*\* Signature Series muffler replacement part number unavailable. Repair or replacement of Signature Series exhaust systems is only available directly through Yoshimura R&D of America, Inc.

**CAUTION:** Exhaust system can be extremely hot. Let motorcycle cool down before beginning installation. Always wear hand and eye protection and take precautionary measures to avoid injury.

**WARNING:** Always properly support vehicle with a stand and/or lift when servicing or performing any work. Unstable vehicles may present dangerous conditions and may cause property damage and/or personal injury.

**NOTE:** Read through all instructions before beginning installation.

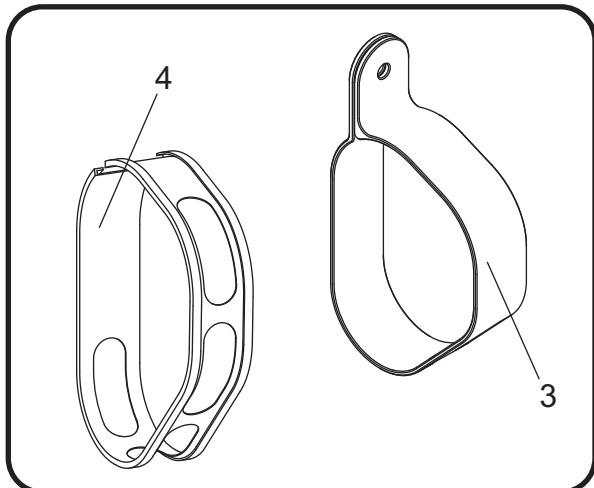
## Removal

1. Loosen exhaust clamp at muffler to header connection.
2. While securely supporting muffler, remove muffler mount bolt. Carefully remove the stock muffler assembly by sliding toward the rear of motorcycle.

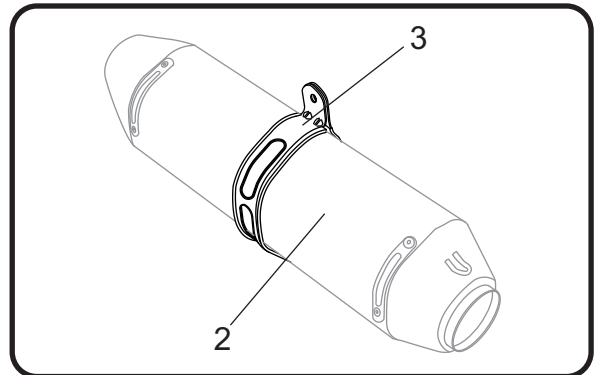
Note: The stock muffler exhaust gaskets will not be used with the Yoshimura Signature Series exhaust system.

## Installation

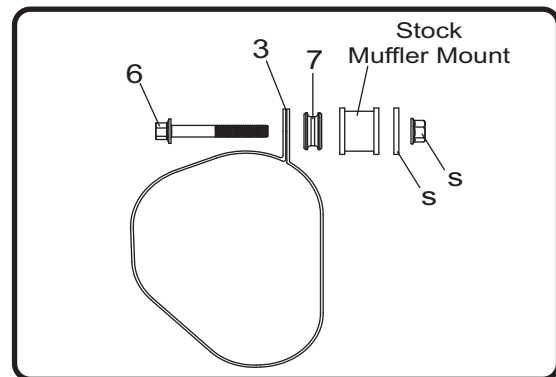
1. Install (No. 4) *HT SHLDR77* muffler clamp rubber heatshield onto (No. 3) *1121-MPCR(X)* muffler clamp.



2. Slide (No. 5) *20063* exhaust clamp over (No. 1) *11631-435* tailpipe inlet as shown in the diagram.
3. Slide (No. 3) *1121-MPCR(X)* muffler clamp over (No. 2) Signature Series muffler assembly.



4. Install muffler assembly by sliding Yoshimura tailpipe over the stock header outlet.
5. Secure muffler assembly to the outside of the stock muffler mount using (No. 6) *M8X55H* bolt, (No. 7) *ALS-049* aluminum spacer, and the stock washer and nut.
6. Torque muffler mount bolt to factory specification. Do not torque (No. 5) *20063* exhaust clamp at this time. See below for proper orientation of hardware.



7. Standing at the back of the motorcycle, check for proper alignment of the muffler. Adjust if necessary.

Note: To adjust fitment, it may be necessary to rotate the tailpipe and/or the muffler independently until proper alignment is achieved.

8. Torque (No. 5) *20063* exhaust clamp to 8.5 Nm (0.86 kg-m, 6 ft-lb).

9. Before starting motorcycle, check for proper clearance between new exhaust system and rear suspension (i.e. tire, swing arm, brakes, rear shock, and etc.) If any problem is found, please carefully follow through the installation steps again. If problem still persists, please call Yoshimura Tech Department at (800) 634-9166 / in CA (909) 628-4722.

10. It is recommended that the muffler and tailpipe be wiped down with rubbing alcohol to remove oil and fingerprints. This will help prevent tarnishing of the finish after the exhaust is heated up.

Note: After starting motorcycle, it is normal for new exhaust system and muffler to emit smoke until oil residue burns off.

## **NOISE EMISSION WARRANTY**

Yoshimura warrants that this exhaust system, at time of sale, meets all applicable U.S. E.P.A. Federal noise standards. This warranty extends to the first person who buys this exhaust system for purposes other than resale, and to all subsequent buyers. Warranty claims should be directed to Yoshimura R&D of America, Inc. 5420 Daniels St. Chino, CA 91710 | Tel (800) 634-9166

## **TAMPERING PROHIBITION**

Federal law prohibits any modification to this exhaust system which causes the motorcycle to exceed the Federal noise standard. Use of the motorcycle with such a modified exhaust system is also prohibited.

Acts likely to constitute tampering include removal or puncturing the muffler, baffles, header pipes, or any other component which conducts exhaust gases.

**WARNING: This product should be checked for repair or replacement if the motorcycle noise has increased significantly through use. Otherwise, the owner may become subject to penalties under state and local ordinances.**