



DR1 LED Light Pod
DNL.DR1.050



Thank you for choosing DENALI

We know you would rather be riding your bike than wrenching on it, so we go the extra mile to make sure our instructions are clear and as easy to understand as possible. If you have any questions, comments, or suggestions don't hesitate to give our gear experts a call at 401.360.2550 or visit WWW.DENALIELECTRONICS.COM

Please Read Before Installing

DENALI products should always be installed by a qualified motorcycle technician. If you are unsure of your ability to properly install a product, please have the product installed by your local motorcycle dealer. DENALI takes no responsibility for damages caused by improper installation. **Caution:** When installing electronics it is extremely important to pay close attention to how wires are routed, especially when mounting products to the front fender, front forks, or fairing of your motorcycle. Always be sure to turn the handlebars fully left, fully right, and fully compress the suspension to ensure the wires will not bind and have enough slack for your motorcycle to operate properly.

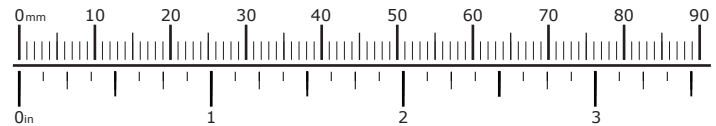
Installation Tips

We strongly recommend using medium strength liquid thread locker on all screws, nuts, and bolts. It is also important to ensure that all hardware is tightened to the proper torque specifications as listed in your owner's manual. For included accessory hardware please refer to the default torque specifications provided below. Inspect all hardware after the first 30 miles to ensure proper torque specifications are maintained.

Bolt Size	in-lbs	ft-lbs	Nm
M3	10.0 in-lbs	-	1.0 Nm
M4	23.0 in-lbs	-	2.5 Nm
M5	44.5 in-lbs	3.5 ft-lbs	5.0 Nm
M6	78.0 in-lbs	6.5 ft-lbs	9.0 Nm
M8	-	13.5 ft-lbs	18.0 Nm
M10	-	30.0 ft-lbs	41.0 Nm
M12	-	52.0 ft-lbs	71.0 Nm

Hardware Sizing Guide

Not sure what size bolt you have? Use this ruler to measure screws, bolts, spacers, etc. Remember, the length of a screw or bolt is measured from the start of the "mounting surface" to the end of the screw, so only include the screw head when measuring countersunk screws.



What's In The Box?

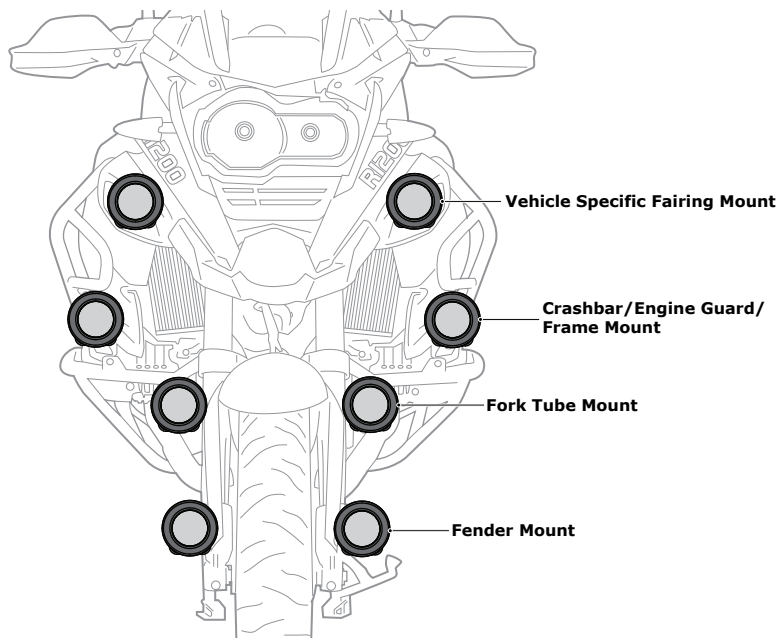


Kit Contents

- (a) LED Light Pod.....Qty 1
- (b) M8 Mounting Hardware.....Qty 1
- (c) Spot Lens (installed).....Qty 1
- (d) E-Mark Certified Hybrid Lens.....Qty 1
- (e) Wiring Pigtail.....Qty 1

Tools Required: 13mm Wrench, 10mm Wrench, 4mm Allen Key

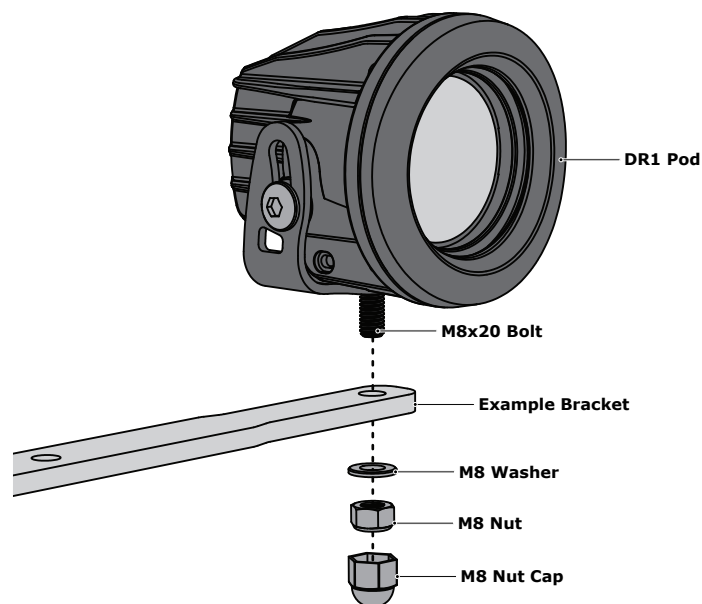
1. Mounting The Lights



1.1 - Choosing The Mounting Location

DENALI offers dozens of universal and vehicle specific light mounts. To determine the best mounting location consider the following tips. For maximum beam distance at night, mount the lights higher up. For maximum day time visibility, mount the lights down low to increase your overall lighting footprint. To create the optimum lighting and visibility package, mount one pair of long distance spots up high for night time distance and one pair of flood or hybrid lights down low for day time visibility and night time fill.

Check out our full mounting application chart at DENALIELECTRONICS.COM to see all the mounting options available for your vehicle.



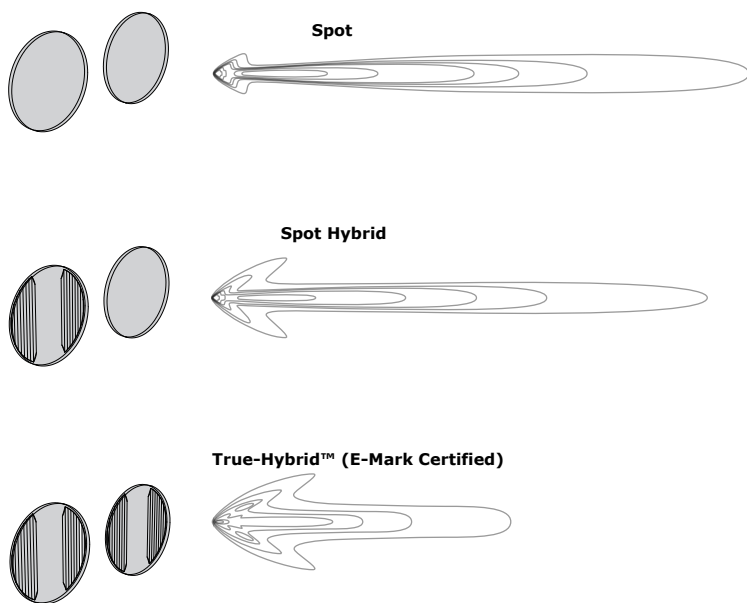
1.2 - Mounting The Light

Step One: Use a 13mm wrench and the included M8 screw, washer, nut and nut cap to attached the pods to the mounting bracket.

Step Two: Use the M8 plastic nut cap to cover the nut and exposed thread.

Note: The light pods can be mounted in both horizontal and vertical orientations. See Figure 2.2 for instructions on how to rotate the lens in the housing of the pod.

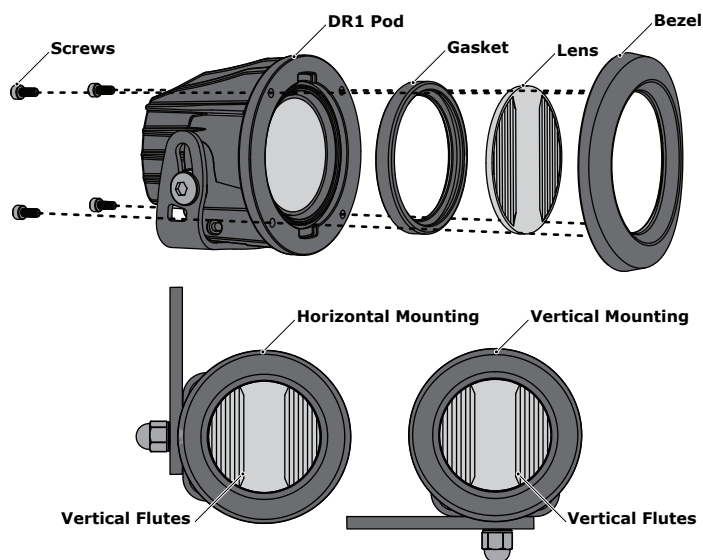
2. TriOptic™ Multi-Beam Lens System



2.1 - Beam Options

This LED light kit includes one spot lens and one True-Hybrid™ lens. Use the spot lens for maximum distance, the Hybrid lens for a 50/50 True-Hybrid™ or one of each in a pair of pods to create a Spot-Hybrid that adds some additional close range fill while maintaining distance.

All DENALI lenses are also available in amber. The amber color of the lens increases visibility in fog and rain by blocking blue frequencies from the light, which reflect off water vapor and decrease vision.



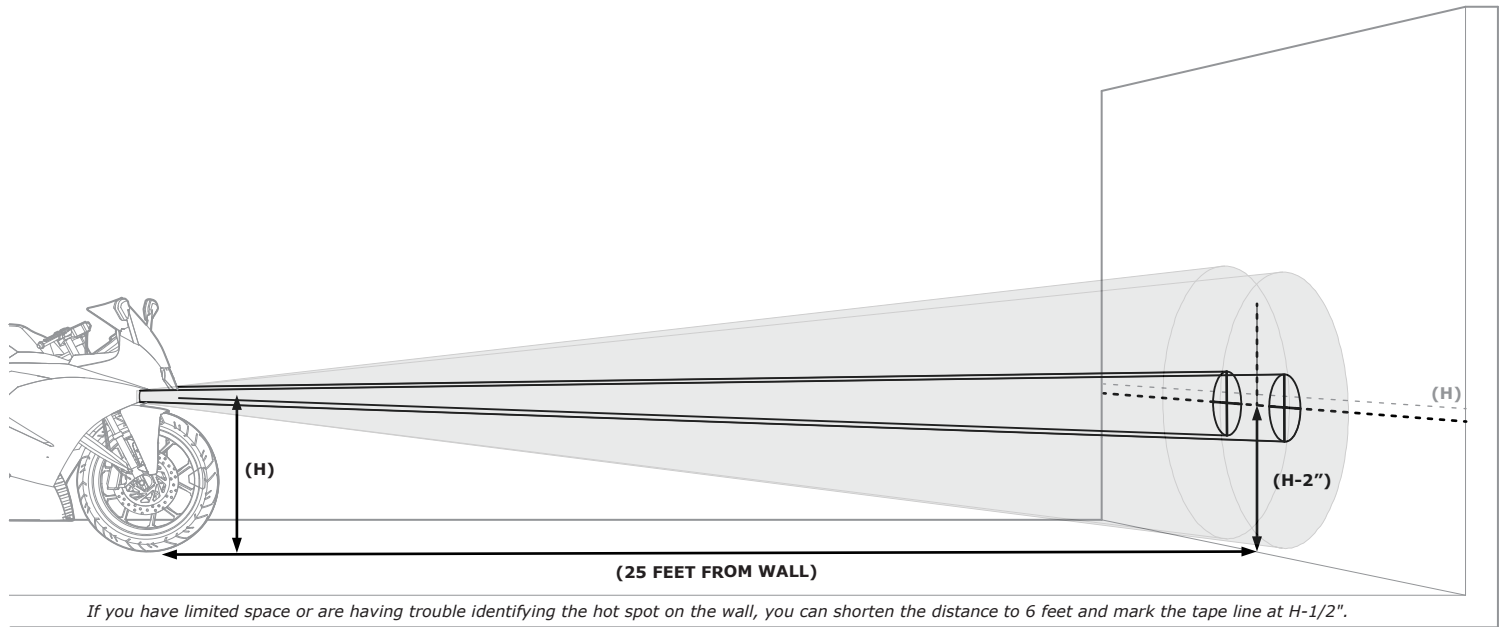
2.2 - Installing The Lenses

Step One: Remove the four M4 screws from the rear of the light pod, then remove the bezel and lens from the light pod.

Step Two: Remove the rubber gasket from the original lens and re-install it onto the new lens.

Step Three: Re-assemble the light pod making sure the gasket is properly seated and creating a seal, then secure the bezel using the M4 screws. Keep in mind the light pods can be mounted in both horizontal and vertical orientations. Just be sure to rotate diffused lenses 90 degrees so the flutes remain in the vertical orientation.

3. Aiming The Lights



3.1 - Suggested Aiming Method

Step One: With someone sitting on the bike and holding it upright on level ground, position the vehicle 25 feet from a flat and vertical wall. Be sure the wall is large enough that both beams can be projected onto the wall. A garage door is a great place to perform this procedure.

Step Two: Measure the distance from the ground to the center of the light pods (H)

Step Three: Using tape, make a horizontal line that is 2 inches lower than the previous measurement from the ground to the center of the lights (H-2").

Step Four: Loosen the mounting and hinge bolts then aim each light so that the center of the hot spot aligns with the tape line on the wall. The lights should be aimed equidistant left and right from center line of the vehicle.

Step Five: Once final adjustments are made to the lights, tighten the mounting and hinge bolts.

Congratulations! The DENALI LED Light Kit has been successfully installed! Enjoy!