

Denali Light Mount

Suzuki DL650 '04 - '11

Suzuki DL1000 '04 - '12

LAH.05.10100 Instructions Rev:00

PLEASE READ BEFORE INSTALLING

TWISTED THROTTLE products should be installed by a qualified, experienced motorcycle technician. If you are unsure of your ability to properly install a product, please have the product installed by your local motorcycle dealer. TWISTED THROTTLE takes no responsibility for damages caused by improper installation.

All screws, bolts, and nuts, including all replacement hardware provided by TWISTED THROTTLE should be tightened to the torque specified in the OEM maintenance manual for your motorcycle. If no torque specifications are provided in the OEM maintenance manual, the following torques may be used:

M5.....	3.5 ft-lbs (5 Nm)
M6.....	7 ft-lbs (9.6 Nm)
M8.....	13 ft-lbs (18 Nm)

All screws, bolts, and nuts should be checked after driving the first 30 miles (50 km) to ensure that all are tightened to the proper torque.

Medium strength liquid thread-locker (i.e., "Locktite") should be used to secure all screws, bolts, and nuts.

Distributed by:	
Twisted Throttle LLC 570 Moose Neck Rd Exeter, RI 02822	phone: 401.284.4200 fax: 401.223.6955 www.twistedthrottle.com



Kit Contents

1 Clip-on Nut



MU.00.06.CLIP
Qty.....2

2 Spacer



OD: 19mm ID: 6.5mm L: 6.3mm
Qty.....2

3 Light Bracket




LAH.05.002
Qty.....1

4 Spring Lock Washer

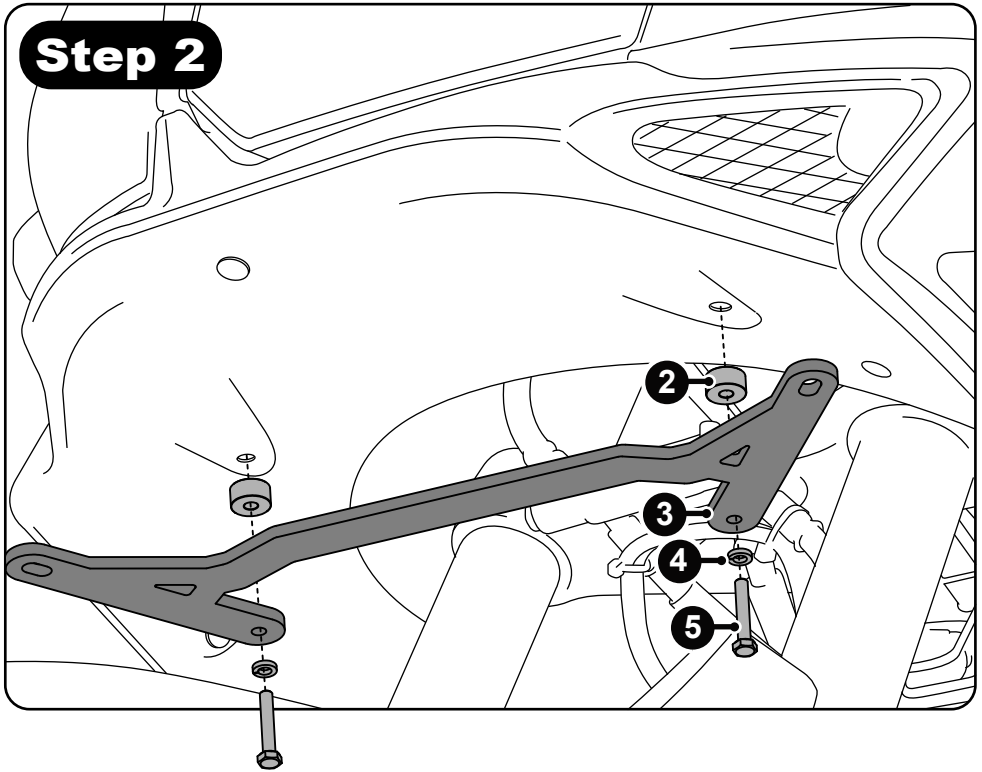
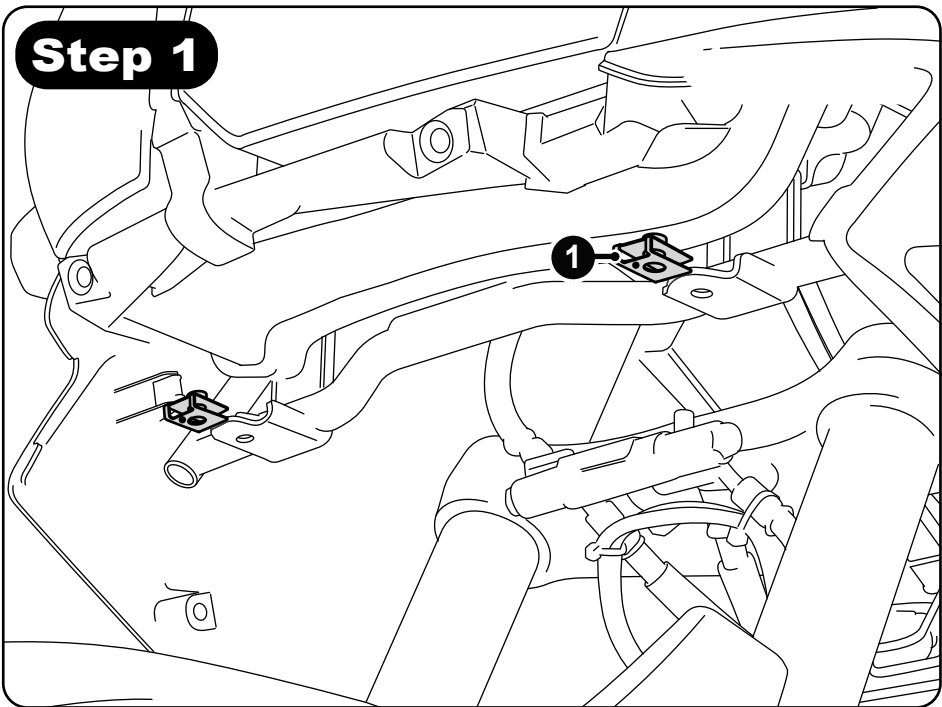


M6.....DIN 127
Qty.....2

5 Hex Head Screw



M6x35.....DIN 931
Qty.....2



Step One: Remove the lower front cowl to expose the two mounting points illustrated above. Attach the supplied clip nuts onto the two mounting points. Once the clip nuts are in place, reinstall the lower front cowl to the motorcycle.

Step Two: Using the supplied hardware mount the light bracket to the motorcycle.