



TWISTED THROTTLE.COM

Bolt-On Touring Accessories that fit YOUR motorcycle!

Quick Release Adapter Pelican Storm

PEL.00.800.50000/B Rev: 02

Mounting Instructions

TWISTED THROTTLE products should be installed by a qualified, experienced motorcycle technician. If you are unsure of your ability to properly install a product, please have the product installed by your local motorcycle dealer. TWISTED THROTTLE takes no responsibility for damages caused by improper installation.

All screws, bolts, and nuts, including all replacement hardware provided by TWISTED THROTTLE should be tightened to the torque specified in the OEM maintenance manual for your motorcycle. If no torque specifications are provided in the OEM maintenance manual, the following torques may be used:


M6.....7 ft-lbs (9.6 Nm)

All screws, bolts, and nuts should be checked after driving the first 30 miles (50 km) to ensure that all are tightened to the proper torque.

Medium strength liquid thread-locker (i.e., "Locktite") should be used to secure all screws, bolts, and nuts.

Twisted Throttle LLC 1080 Kingstown Rd, Building 1 Peace Dale, RI 02879	phone: 401.284.4200 fax: 401.223.6955 www.twistedthrottle.com
---	---

1 Adapter Plate




PEL.00.800.001 00
Qty.....1

2 Lock Assembly



93-10-202-50
Qty.....1

3 Rubber Spacer



GT.00.12H.3488
Qty.....2

4 Cross Washer



TWT.KFA.00.001.950
Qty.....3

5 Lens Head Screw



M6 x 20.....DIN 7380
Qty.....6

6 Rubber Washer




GS.00.065.020.003
Qty.....6

7 Lock Nut



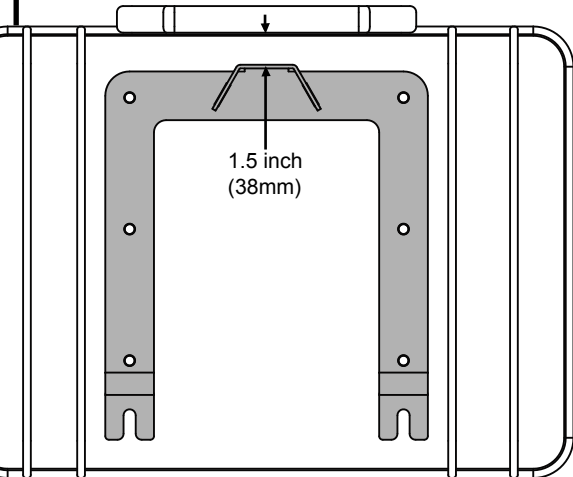
M6.....DIN 6927
Qty.....6

8 Washer



M6.....DIN 9021
Qty.....4

Mounting the Quick Release Adapter to your Case



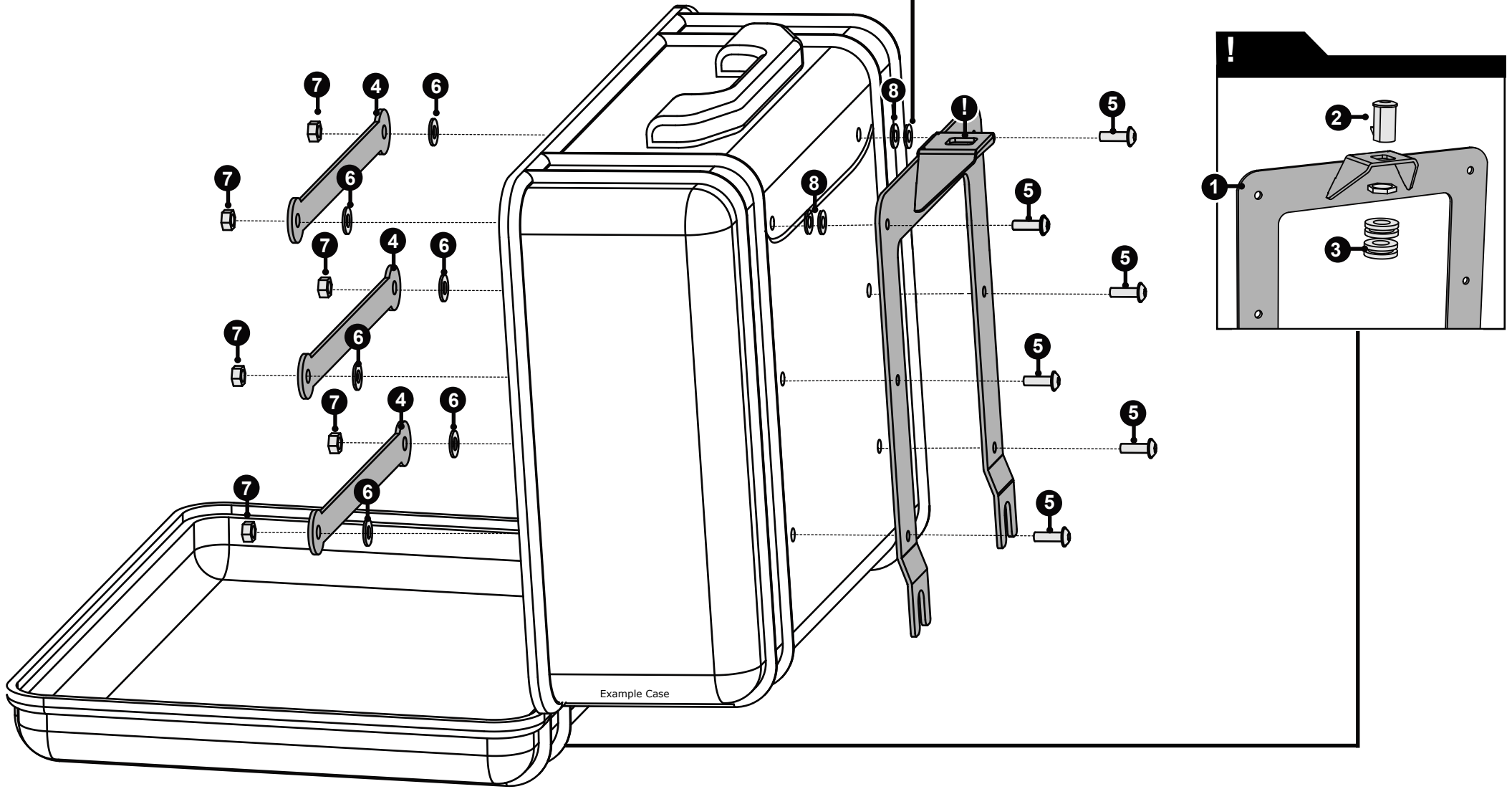
Where you position the adapter plate on the case will affect where the case sits on your motorcycle.

We recommend positioning the adapter plate 1.5 inches below the top surface of the case centered from left to right.

Use a ¼ inch (6mm) drill bit to drill your case. Place the adapter plate in the desired location on the case.

Drill directly through the holes in the adapter plate to ensure correct hole positions.

Use item #8 to level the adapter on any case which does not have a flat back. (Confirmed to be used with DrySpec H-36 Case)



Example Case